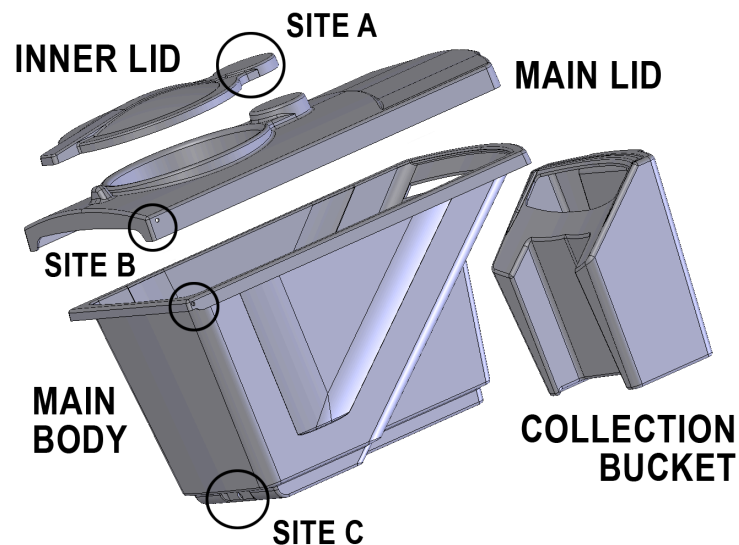


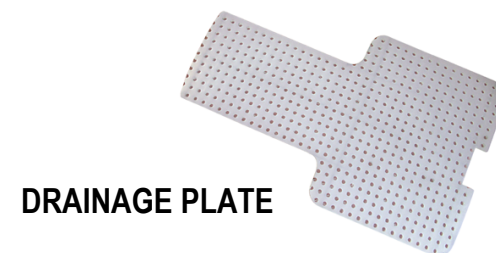
## PARTS LIST

1. MAIN BODY
2. MAIN LID
3. INNER CONVENIENCE LID
4. COLLECTION BUCKET
5. PERFORATED DRAINAGE PLATE
6. DRAINAGE PAD
7. DRAINAGE ASSEMBLY
  - A. SMALL HEX CONNECTOR
  - B. LARGE HEX CONNECTOR
  - C. CLEAR TUBE
  - D. PINCH VALVE
  - E. END CAP
8. INNER LID HARDWARE \*
  - A. BOLT (1)
  - B. NUT (1)
  - C. WASHERS (2)
9. HINGE HARDWARE FOR MAIN LID \*
  - A. BOLT (2)
  - B. NUT (2)
  - C. WASHERS (4)

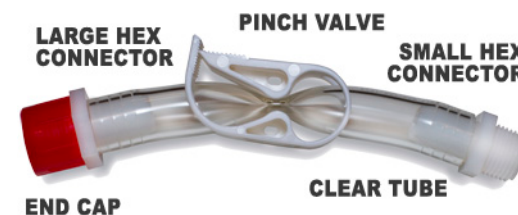
• *Please note that all bolts, nuts and washers are the same size*



## BioPod™ Plus Quick Assembly Instructions



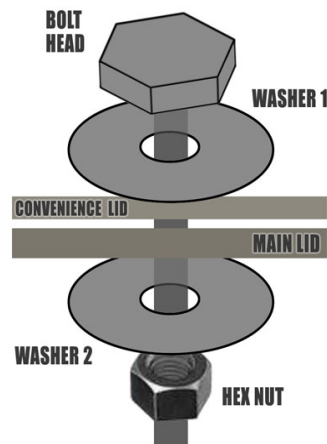
DRAINAGE PLATE



END CAP

CLEAR TUBE

DIAGRAM 1



DRAINAGE ASSEMBLY



DRAINAGE PAD

### STEP 1. Requirements

1. Full Shade \* Level Surface \* Elevate (if possible)

### STEP 2. Lid Assembly

1. Attached inner lid to main lid as shown in DIAGRAM 1 – SITE A
2. Attach assembled lid to main body – SITE B
3. To protect the plastic, washers are placed adjacent to bolt head and nut
4. Do not over tighten – parts must be able to pivot

### STEP 3. Drainage System

1. Assemble drainage parts as seen in photo “DRAINAGE ASSEMBLY”
2. Attach assembled drainage system to main body – SITE C
3. Place perforated drainage plate in base of main body
4. Place poly mesh drainage pad or natural coir pad on top of drainage plate

### STEP 4. Collection Bucket

1. Line up the harvest slit in the main body with the bucket opening

Complete Manual and User's Guide may be downloaded online at:  
<http://www.protapodusa.com/biopod-plus.html> or [www.ProtaPodUSA.com](http://www.ProtaPodUSA.com)